

# HIKOKI

Номер сертификата соответствия ЕАС  
RU C-JP.АГ03.В.18168  
Срок действия  
20.08.2023

en

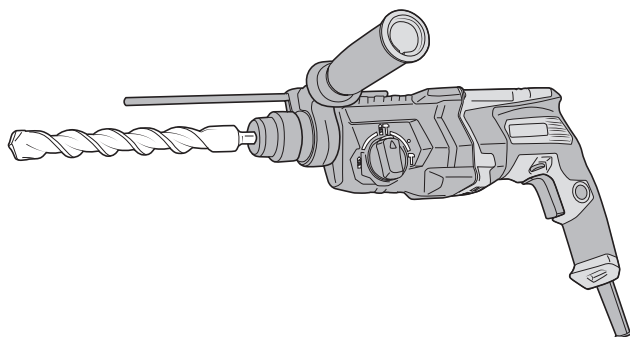
uk

ru

DH 24PG2 · DH 24PH2

DH 26PB2 · DH 26PC2

DH 28PBY2 · DH 28PCY2 · DH 28PMY2



DH28PCY2



en Handling instructions

uk Інструкції щодо поводження з пристроєм

ru Инструкция по эксплуатации



## GENERAL POWER TOOL SAFETY WARNINGS

### WARNING

Read all safety warnings and all instructions.

Failure to follow the warnings and instructions may result in electric shock, fire and/or serious injury.

Save all warnings and instructions for future reference.

The term "power tool" in the warnings refers to your mains-operated (corded) power tool or battery-operated (cordless) power tool.

#### 1) Work area safety

- a) **Keep work area clean and well lit.**  
*Cluttered or dark areas invite accidents.*
- b) **Do not operate power tools in explosive atmospheres, such as in the presence of flammable liquids, gases or dust.**  
*Power tools create sparks which may ignite the dust or fumes.*
- c) **Keep children and bystanders away while operating a power tool.**  
*Distractions can cause you to lose control.*

#### 2) Electrical safety

- a) **Power tool plugs must match the outlet. Never modify the plug in any way. Do not use any adapter plugs with earthed (grounded) power tools.**  
*Unmodified plugs and matching outlets will reduce risk of electric shock.*
- b) **Avoid body contact with earthed or grounded surfaces, such as pipes, radiators, ranges and refrigerators.**  
*There is an increased risk of electric shock if your body is earthed or grounded.*
- c) **Do not expose power tools to rain or wet conditions.**  
*Water entering a power tool will increase the risk of electric shock.*
- d) **Do not abuse the cord. Never use the cord for carrying, pulling or unplugging the power tool. Keep cord away from heat, oil, sharp edges or moving parts.**  
*Damaged or entangled cords increase the risk of electric shock.*
- e) **When operating a power tool outdoors, use an extension cord suitable for outdoor use.**  
*Use of a cord suitable for outdoor use reduces the risk of electric shock.*
- f) **If operating a power tool in a damp location is unavoidable, use a residual current device (RCD) protected supply.**  
*Use of an RCD reduces the risk of electric shock.*

#### 3) Personal safety

- a) **Stay alert, watch what you are doing and use common sense when operating a power tool. Do not use a power tool while you are tired or under the influence of drugs, alcohol or medication.**  
*A moment of inattention while operating power tools may result in serious personal injury.*
- b) **Use personal protective equipment. Always wear eye protection.**  
*Protective equipment such as dust mask, non-skid safety shoes, hard hat, or hearing protection used for appropriate conditions will reduce personal injuries.*
- c) **Prevent unintentional starting. Ensure the switch is in the off position before connecting to**

**power source and/or battery pack, picking up or carrying the tool.**

*Carrying power tools with your finger on the switch or energising power tools that have the switch on invites accidents.*

- d) **Remove any adjusting key or wrench before turning the power tool on.**  
*A wrench or a key left attached to a rotating part of the power tool may result in personal injury.*
  - e) **Do not overreach. Keep proper footing and balance at all times.**  
*This enables better control of the power tool in unexpected situations.*
  - f) **Dress properly. Do not wear loose clothing or jewellery. Keep your hair, clothing and gloves away from moving parts.**  
*Loose clothes, jewellery or long hair can be caught in moving parts.*
  - g) **If devices are provided for the connection of dust extraction and collection facilities, ensure these are connected and properly used.**  
*Use of dust collection can reduce dust-related hazards.*
- #### 4) Power tool use and care
- a) **Do not force the power tool. Use the correct power tool for your application.**  
*The correct power tool will do the job better and safer at the rate for which it was designed.*
  - b) **Do not use the power tool if the switch does not turn it on and off.**  
*Any power tool that cannot be controlled with the switch is dangerous and must be repaired.*
  - c) **Disconnect the plug from the power source and/or the battery pack from the power tool before making any adjustments, changing accessories, or storing power tools.**  
*Such preventive safety measures reduce the risk of starting the power tool accidentally.*
  - d) **Store idle power tools out of the reach of children and do not allow persons unfamiliar with the power tool or these instructions to operate the power tool.**  
*Power tools are dangerous in the hands of untrained users.*
  - e) **Maintain power tools. Check for misalignment or binding of moving parts, breakage of parts and any other condition that may affect the power tool's operation. If damaged, have the power tool repaired before use.**  
*Many accidents are caused by poorly maintained power tools.*
  - f) **Keep cutting tools sharp and clean.**  
*Properly maintained cutting tools with sharp cutting edges are less likely to bind and are easier to control.*
  - g) **Use the power tool, accessories and tool bits etc. in accordance with these instructions, taking into account the working conditions and the work to be performed.**  
*Use of the power tool for operations different from those intended could result in a hazardous situation.*
- #### 5) Service
- a) **Have your power tool serviced by a qualified repair person using only identical replacement parts.**  
*This will ensure that the safety of the power tool is maintained.*

### PRECAUTION

Keep children and infirm persons away.

When not in use, tools should be stored out of reach of children and infirm persons.

## ROTARY HAMMER SAFETY WARNINGS

- 1. Wear ear protectors**  
Exposure to noise can cause hearing loss.
- 2. Use auxiliary handle(s), if supplied with the tool.**  
Loss of control can cause personal injury.
- 3. Hold power tool by insulated gripping surfaces, when performing an operation where the cutting accessory may contact hidden wiring or its own cord.**  
Cutting accessory contacting a "live" wire may make exposed metal parts of the power tool "live" and could give the operator an electric shock.

## ADDITIONAL SAFETY WARNINGS














1. Ensure that the power source to be utilized conforms to the power requirements specified on the product nameplate.
2. Ensure that the power switch is in the OFF position. If the plug is connected to a receptacle while the power switch is in the ON position, the power tool will start operating immediately, which could cause a serious accident.
3. When the work area is removed from the power source, use an extension cord of sufficient thickness and rated capacity. The extension cord should be kept as short as practicable.
4. Do not touch the bit during or immediately after operation. The bit becomes very hot during operation and could cause serious burns.
5. Before starting to break, chip or drill into a wall, floor or ceiling, thoroughly confirm that such items as electric cables or conduits are not buried inside.
6. Always hold the body handle and side handle of the power tool firmly. Otherwise the counterforce produced may result in inaccurate and even dangerous operation.
7. **Wear a dust mask**  
Do not inhale the harmful dusts generated in drilling or chiseling operation. The dust can endanger the health of yourself and bystanders.
8. **Mounting the tool**
  - To prevent accidents, make sure to turn the switch off and disconnect the plug from the receptacle.
  - When using tools such as bull points, drill bits, etc., make sure to use the genuine parts designated by our company.
  - Clean the shank portion of the tool.
  - Check the latching by pulling on the tool.
9. To prevent accidents, make sure to turn the switch off and disconnect the plug from the receptacle when the drill bits and other various parts are installed or removed. The power switch should also be turned off during a work break and after work.
10. **Rotation + hammering**  
DH28PMY2 only: Using drill bit holder (standard accessories)  
When the drill bit touches construction iron bar, the bit will stop immediately and the rotary hammer will react to revolve. Therefore firmly tighten the side handle.
11. **Rotation only**  
To drill wood or metal material using the drill chuck and chuck adapter (optional accessories).  
DH28PMY2 only: Using drill chuck holder (standard accessories)
  - Application of force more than necessary will not only expedite the work, but will deteriorate the tip edge of the drill bit and reduce the service life of the rotary hammer in addition.

- Drill bits may snap off while withdrawing the rotary hammer from the drilled hole. For withdrawing, it is important to use a pushing motion.
  - Do not attempt to drill anchor holes or holes in concrete with the machine set in the rotation only function.
  - Do not attempt to use the rotary hammer in the rotation and hammering function with the drill chuck and chuck adapter attached. This would seriously shorten the service life of every component of the machine.
12. **Hammering only**  
DH28PMY2 only: Using drill bit holder (standard accessories)

## SYMBOLS

### WARNING

The following show symbols used for the machine. Be sure that you understand their meaning before use.

	DH24PG2 / DH24PH2 / DH26PB2 / DH26PC2 / DH28PB2 / DH28PC2 / DH28PMY2: Rotary Hammer
	To reduce the risk of injury, user must read instruction manual.
	Only for EU countries Do not dispose of electric tools together with household waste material! In observance of European Directive 2012/19/ EU on waste electrical and electronic equipment and its implementation in accordance with national law, electric tools that have reached the end of their life must be collected separately and returned to an environmentally compatible recycling facility.
V	Rated voltage (Ensure that the power source to be utilized conforms to the power requirements specified on the product nameplate.)
P	Power Input
n <sub>0</sub>	No-load speed
Bpm	Full-load impact rate
φ max	Drilling diameter, max.
 kg	Weight (According to EPTA-Procedure 01/2003)
	Concrete
	Steel
	Wood
	Rotation and hammering function
	Rotation only function
	Hammering only function
	Switching ON
	Switching OFF
	Disconnect mains plug from electrical outlet

# English

	Class II tool
---	---------------

- \*1 If it is hard to pull out the drill chuck holder or the drill bit holder, align the change lever with the **T** mark and turn the lock grip.
- \*2 For detailed information regarding each tool, contact a HiKOKI authorized service center.


## STANDARD ACCESSORIES

In addition to the main unit (1 unit), the package contains the accessories listed in the below.


- Plastic case ..... 1
- Side handle ..... 1
- Depth gauge ..... 1
- Drill chuck holder (DH28PMY2 only) ..... 1

Standard accessories are subject to change without notice.


## APPLICATIONS

Rotation and hammering function 

- Drilling anchor holes
- Drilling holes in concrete
- Drilling holes in tile

Rotation only function 

- Drilling in steel or wood (with optional accessories)
- Tightening machine screws, wood screws (with optional accessories)

Hammering only function 

- Light-duty chiselling of concrete, groove digging and edging.

## SPECIFICATIONS

The specifications of this machine are listed in the Table on page 17.

### NOTE

Due to HiKOKI's continuing program of research and development, the specifications herein are subject to change without prior notice.

## MOUNTING AND OPERATION

Action	Figure	Page
Inserting SDS-plus tools	1	18
Removing SDS-plus tools	2	18
Selecting rotation direction	3	18
Selecting the operating mode	4	18
Adjusting the drilling depth	5	18
Changing the chisel position	6	18
Removing the quick release chuck (DH28PMY2)*1	7	19
Inserting the quick release chuck (DH28PMY2)	8	19
Inserting round shank applications tools (DH28PMY2)	9	19
Switching on and off and setting the speed	10	19
Locking-on the On / Off switch	11	19
Releasing the On / Off switch	12	19
Selecting accessories*2	-	20, 21

## LUBRICATION

This Rotary Hammer is of full air-tight construction to protect against dust and to prevent lubricant leakage. Therefore, this Rotary Hammer can be used without lubrication for long periods. Replace the grease whenever you change the carbon brush to maintain the service life. Further use of the rotary hammer with lock off grease will cause the machine to seize up reduce the service life.

### CAUTION

A special grease is used with this machine, therefore, the normal performance of the machine may be badly affected by use of other grease. Please be sure to let one of our service agents undertake replacement of the grease.

## MAINTENANCE AND INSPECTION

### 1. Inspecting the tools

Since use of a dull tool will cause motor malfunctioning and degraded efficiency, replace the tool with new ones or sharpen them without delay when abrasion is noted.

### 2. Inspecting the mounting screws

Regularly inspect all mounting screws and ensure that they are properly tightened. Should any of the screws be loose, retighten them immediately. Failure to do so could result in serious hazard.

### 3. Maintenance of the motor

The motor unit winding is the very "heart" of the power tool.

Exercise due care to ensure the winding does not become damaged and/or wet with oil or water.

### 4. Inspecting the carbon brushes

For your continued safety and electrical shock protection, carbon brush inspection and replacement on this machine should ONLY be performed by a HiKOKI Authorized Service Center.

### 5. Replacing supply cord

If the replacement of the supply cord is necessary, this has to be done by the manufacturer of this agent in order to avoid a safety hazard.

### CAUTION

In the operation and maintenance of power tools, the safety regulations and standards prescribed in each country must be observed.

### GUARANTEE

We guarantee HiKOKI Power Tools in accordance with statutory/country specific regulation. This guarantee does not cover defects or damage due to misuse, abuse, or normal wear and tear. In case of complaint, please send the Power Tool, undismantled, with the GUARANTEE CERTIFICATE found at the end of this Handling instruction, to a HiKOKI Authorized Service Center.

**IMPORTANT**

Correct connection of the plug  
The wires of the main lead are coloured in accordance with the following code:

Blue: — Neutral

Brown: — Live

As the colours of the wires in the main lead of this tool may not correspond with the coloured markings identifying the terminals in your plug proceed as follows:

The wire coloured blue must be connected to the terminal marked with the letter N or coloured black. The wire coloured brown must be connected to the terminal marked with the letter L or coloured red. Neither core must be connected to the earth terminal.

**NOTE:**

This requirement is provided according to BRITISH STANDARD 2769: 1984.

Therefore, the letter code and colour code may not be applicable to other markets except The United Kingdom.

**NOTE**

Due to HiKOKI's continuing program of research and development, the specifications herein are subject to change without prior notice.

**Information concerning airborne noise and vibration**

The measured values were determined according to EN60745 and declared in accordance with ISO 4871.

Measured A-weighted sound power level:

101 dB (A) (DH24PG2, DH24PH2)

102 dB (A) (DH26PB2, DH26PC2)

101 dB (A) (DH28PBY2, DH28PCY2, DH28PMY2)

Measured A-weighted sound pressure level:

90 dB (A) (DH24PG2, DH24PH2)

91 dB (A) (DH26PB2, DH26PC2)

90 dB (A) (DH28PBY2, DH28PCY2, DH28PMY2)

Uncertainty K: 3 dB (A).

Wear hearing protection.

Vibration total values (triax vector sum) determined according to EN60745.

Hammer drilling into concrete:

Vibration emission value  $\mathbf{a_{h, HD}}$  =

14.5 m/s<sup>2</sup> (DH24PG2, DH24PH2)

14.3 m/s<sup>2</sup> (DH26PB2, DH26PC2)

11.2 m/s<sup>2</sup> (DH28PBY2, DH28PCY2, DH28PMY2)

Uncertainty K = 1.5 m/s<sup>2</sup>

Equivalent chiselling value:

Vibration emission value  $\mathbf{a_{h, Cheq}}$  =

11.5 m/s<sup>2</sup> (DH24PH2)

11.3 m/s<sup>2</sup> (DH26PC2)

9.9 m/s<sup>2</sup> (DH28PCY2, DH28PMY2)

Uncertainty K = 1.5 m/s<sup>2</sup>

The declared vibration total value has been measured in accordance with a standard test method and may be used for comparing one tool with another.

It may also be used in a preliminary assessment of exposure.

**WARNING**

- The vibration emission during actual use of the power tool can differ from the declared total value depending in the ways in which the tool is used.
- Identify safety measures to protect the operator that are based on an estimation of exposure in the actual conditions of use (taking account of all parts of the operating cycle such as the times when the tool is switched off and when it is running idle in addition to the trigger time).



English version:

## Addendum to user's manual for electric and engine tools HiKOKI

1. Read carefully safety directions, indicated in user's manual for tools in article "Safety Instructions"
2. Read carefully this additional information below:

Life time of product	Life time of product of this product is 5 years from the date of purchase. It's not recommended to use this product on the expiry of 5 years of storage from the manufacturing date without preliminary testing. (Manufacturing date indicated on product's name plate)
Storage conditions	<ul style="list-style-type: none"> <li>- it's necessary to store in dry place</li> <li>- it's necessary to store away from high temperature sources and away from direct sunlight</li> <li>- while storage, avoid temperature drops</li> <li>- storage without packing prohibited</li> <li>- detailed requirements to storage conditions see in GOST 15150 (condition 1)</li> </ul>
Transportation conditions	<ul style="list-style-type: none"> <li>- it's strictly prohibited any drop, impact or mechanical forces at packing while transportation</li> <li>- while loading/unloading it's not allowed to use machines, which use squeezing force for handling</li> <li>- detailed requirements to transportation conditions see in GOST 15150 (condition 5)</li> </ul>

### ADDITIONAL INFORMATION

Data about month and year of production see at name plate of machine and package. Monthes coded by digits and letters: 1-9 – Jan-Sept, O-Oct, N-Nov, D-Dec. Year of production coded by last digit of current year.

Product certified acc. to EAC rules. EAC certificate issued by OOO "Center of certifications, standartizations and quality systems for electrical- machinery construction products". Copy of EAC certificate avaiable from your local dealer by request.

Producer: Koki Holdings Co., Ltd, Shinagawa Intercity Tower A, 20th floor, 15-1, Konan 2-chome, Minato-ku, Tokyo 108-6020 Japan

Representative in Russia: OOO «Хайкоки Пауэр Тулз РУС», 115409, RF, Moscow, Kashirskoye shosse, h.41, bld.2.

### Chapter «GENERAL POWER TOOL SAFETY WARNINGS»

In section 3) Personal safety

Add the following article:

- h) In case of sudden full of partly interrupted power supply and it's following restoration, as well as in case of electrical feed circuit damages, always put power tool switch to OFF-position and do not attempt any operations with tool to prevent dangerous situations caused by unintentional start of machine.

## ЗАГАЛЬНІ ІНСТРУКЦІЇ БЕЗПЕКИ ЕЛЕКТРИЧНОГО ІНСТРУМЕНТУ

### ⚠ ПОПЕРЕДЖЕННЯ

Прочитайте всі правила безпеки та вказівки.

Невиконання цих правил та інструкцій може призвести до удару струмом, пожежі та/або серйозної травми.

Збережіть всі інструкції та правила для подальшого користування.

Термін «електроінструмент» у правилах позначає ваш електричний автоматичний інструмент, що працює від мережі (з дротом), або електричний інструмент, що працює на батарейках (бездротовий).

#### 1) Безпека робочого місця

a) Стенjte за чистотою і правильним освітленням робочого місця.

Захаращені або темні ділянки так і «чекають» на нещасний випадок.

b) Не працюйте автоматичними інструментами там, де повітря насичене вибухонебезпечними речовинами, такими як горючі рідини, гази або пил.

Автоматичні інструменти висікають іскри, від яких можуть зайнятися пил або випари.

c) Під час роботи автоматичним інструментом не підпускайте до себе дітей і просто бажано чих подивитися на вашу роботу.

Якщо вас відволікатимуть, ви можете втратити контроль над інструментом.

#### 2) Безпека електропристрою

a) Штепсельні вилки електроінструменту повинні підходити до розетки електромережі. Ніколи ніяким чином не змінюйте виделку. Не користуйтеся жодними насадками-адаптерами для заземлених автоматичних інструментів.

Незмінні штепсельні вилки та відповідні їм розетки зменшують ризик ураження електрострумом.

b) Не торкайтеся тілом заземлених предметів або поверхонь, таких як труби, батареї опалення і холодильники.

Якщо ви торкнетеся тілом заземленого предмету, це збільшує ризик удару струмом.

c) Не допускайте, щоб на автоматичні інструменти потрапляли дощ або волога.

Вода, яка потрапила до автоматичного інструмента, підвищує ризик удару струмом.

d) Обережно поводьтеся зі шнуром. Ніколи не несіть інструмент на шнурі, не волочіть його за шнур і не витягайте штепсельну виделку з розетки, тягнучи за шнур.

Бережіть шнур від тепла, олій, гострих поверхонь та рухомих деталей.

Пошкоджені або заплутані шнури збільшують ризик ураження електрострумом.

e) Працюючи автоматичним інструментом просто неба, користуйтеся подовжувачами, пристосованими для застосування просто неба.

Користування шнуром, пристосованим до користування просто неба, знижує ризик ураження струмом.

f) Якщо не уникнути роботи у вологому середовищі, користуйтеся джерелом живлення із пристроєм захисту від замикання на землю.

Пристрій захисту від замикання на землю знижує ризик удару струмом.

#### 3) Особиста безпека

a) Не втрачайте пильності, стежте за тим, що робите, і користуйтеся здоровим глуздом під час роботи автоматичним інструментом.

Не працюйте автоматичним інструментом, коли ви втомлені або знаходитеся під дією наркотиків, алкоголю або ліків.

Мить неуваги під час роботи автоматичним інструментом може спричинити важку травму.

b) Користуйтеся засобами індивідуального захисту. Завжди користуйтеся засобами для захисту очей.

Засоби індивідуального захисту, такі як респіратор, черевки із протекторами, каска або беруші у відповідних умовах зменшать ризик травмування.

c) Запобігайте випадковому увімкненню. Переконайтеся, що перемикач знаходиться в положенні «вимкнено», перш ніж підключитися до джерела живлення і/або акумулятора, взятися за інструмент або переносити його.

Якщо переносити автоматичні інструменти увімкненими або тримаючи палець на перемикачі, це може стати причиною нещасного випадку.

d) Зніміть будь-які регулюючі ключі або блокатори, перш ніж вмикати інструмент.

Якщо регулюючий ключ або блокатор лишили прикріпленим до частини інструмента, яка обертається, це може спричинити травму.

e) Не тягніться і не перехилийтеся, працюючи з інструментом. Завжди надійно стійте на ногах і зберігайте рівновагу.

Це надає кращий контроль над автоматичним інструментом у несподіваних ситуаціях.

f) Носіть правильний робочий одяг. Не носіть широкий одяг або ювелірні прикраси. Тримайте волосся, одяг і рукавички подалі від рухомих частин.

Широкій одяг, ювелірні прикраси або довге волосся може потрапити до рухомих частин.

g) Якщо у наявності є пристрій для збирання пилу, скористуйтеся ним за умови, що він правильно підключений і працює.

Користування пристроєм для збирання пилу може знизити небезпеки, пов'язані із накопиченням пилу.

#### 4) Експлуатація і догляд за автоматичним інструментом

a) Не застосовуйте надмірну силу до електроінструмента. Для виконання різних видів робіт підбирайте відповідні інструменти.

Правильно підібраний автоматичний інструмент краще виконає роботу і гарантуватиме більше безпеки.

b) Не користуйтеся автоматичним інструментом, якщо перемикач не працює.

Будь-який автоматичний інструмент, який неможливо контролювати перемикачем, є небезпечним. Його слід полагодити.

c) Відключіть вилку від джерела живлення та/або акумулятор від електроінструмента, перш ніж будь-що регулювати, змінювати приладдя або зберігати електроінструмент.

Ці заходи безпеки знижують ризик випадково увімкнути автоматичний інструмент.

d) Зберігайте інструменти у місцях, недоступних для дітей, і не дозволяйте людям, не ознайомленим із автоматичними інструментами і цими інструкціями, користуватися автоматичним інструментом.

Автоматичні інструменти є небезпечними в руках непідготованих користувачів.

# Українська

- е) Доглядайте за електричними інструментами. Перевіряйте, чи не зсунулися і чи не зігнулися рухомі частини, чи не зламалися окремі деталі, а також чи не трапилося якихось небажаних змін, які можуть погано вплинути на роботу інструмента. Якщо автоматичний інструмент пошкоджений, його слід полагодити перед подальшим користуванням. Багато нещасних випадків трапляється через поганий догляд за автоматичними інструментами.
- ф) Утримуйте інструменти для різання гострими та чистими. Інструменти для різання, за якими правильно доглядають і які вчасно підточують, рідше згинаються, і їх легше контролювати.
- г) Користуйтеся автоматичним інструментом, аксесуарами і насадками згідно цих інструкцій, враховуючи робочі умови та завдання. Застосовуйте різні автоматичні інструменти для різних видів робіт. Невідповідність інструмента і застосування може створити небезпечну ситуацію.
- 5) Обслуговування
- а) Обслуговувати ваш автоматичний інструмент може лише кваліфікований технік, замінюючи деталі лише на ідентичні. Це гарантуватиме безпеку автоматичного інструмента.

## ЗАСТЕРЕЖЕННЯ

Не підпускайте до інструмента дітей і неповносправних осіб.

Коли інструментом не користуються, його слід зберігати в місцях, недоступних для дітей та неповносправних осіб.

## ПРАВИЛА БЕЗПЕКИ ЩОДО ВИКОРИСТАННЯ ПЕРФОРАТОРА













1. Використовуйте засоби для захисту слуху  
Вплив шуму може призвести до втрати слуху.
  2. Використовуйте додаткову рукоятку(-и), якщо поставляється разом з інструментом.  
Втрата контролю може призвести до травми.
  3. Тримайте електроінструмент лише за відповідні ручки з ізоляцією, оскільки ріжуча насадка може зачепити приховані електричні дроти або власний шнур живлення.  
При контакті ріжучого приладдя з проводкою, що знаходиться під напругою, неізольовані металеві частини електроінструменту можуть проводити електричний струм, який призведе до ураження оператора.
- ## ДОДАТКОВІ ПРАВИЛА БЕЗПЕКИ
1. Переконайтеся, що джерело живлення, яким ви будете користуватися, відповідає вимогам до живлення, зазначеним на наклейці на корпусі виробу.
  2. Переконайтеся, що перемикач живлення знаходиться в положенні ВИМКНЕНО.  
Якщо штепсельна вилка підключена до розетки, коли перемикач знаходиться в положенні УВИМКНЕНО, інструмент негайно почне працювати, а це може призвести до нещасного випадку.
  3. Коли робоча поверхня знаходиться далеко від джерела живлення, користуйтеся подовжувачем достатньої товщини і номінальної потужності. Подовжувач мусить бути настільки коротким, настільки й практичним.
  4. Не торкайтеся насадки під час роботи і відразу після її закінчення. Насадка сильно нагрівається під час роботи і може стати причиною серйозних опіків.
  5. Перед тим як почати довбати або свердлити стіну, підлогу або стелю, переконайтеся в тому, що всередині не прокладені електричні кабелі або водопровідні труби.
  6. Завжди міцно тримайте корпус і рукоятку електроінструмента. В іншому випадку віддача може призвести до неточних і навіть небезпечних дій.
  7. Надягайте респіратор  
Не вдихайте шкідливий пил, який утворюється у процесі свердління та рубки зубилом. Пил може становити небезпеку для вашого здоров'я та здоров'я оточуючих.
  8. Установлення інструмента
    - Щоб уникнути нещасних випадків, переконайтеся в тому, що перемикач вимкнений, а штепсельна вилка від'єднана від розетки.
    - При використанні таких інструментів, як піка-зубило, свердло і т.д., впевніться, що використовуєте оригінальні запасні частини, визначені нашою компанією.
    - Почистьте хвостову частину інструмента.
    - Перевірте фіксацію шляхом витягування інструмента.
  9. Щоб уникнути нещасних випадків, переконайтеся в тому, що перемикач вимкнений, а штепсельна вилка від'єднана від розетки, коли свердла й інші частини вставляються або виймаються. Вимикач живлення також має бути вимкнений під час перерви в роботі та після роботи.
  10. Обертання та ударна функція  
Тільки DH28PMY2: Використання підставки для свердел (стандартна комплектація)  
Коли свердло торкнеться частини будівельної металоконструкції, то свердло негайно зупиниться й перфоратор відреагує обертанням. Тому щільно затягніть бокову рукоятку.
  11. Тільки обертання  
Щоб свердлити дерево або металевий матеріал за допомогою зайимного патрона для свердла і перехідника патрона (додаткове приладдя). Тільки DH28PMY2: Використання підставки для патронів для свердел (стандартна комплектація)
    - Застосування надмірної сили не тільки не пришвидшить роботу, але і пошкодить тонкий край свердла і на додаток зменшить термін служби перфоратора.
    - Свердла можуть зламатися з тріском, коли витягуєте перфоратор з отвору, що висвердлили. При витягуванні важливо використовувати штовхальні рухи.
    - Не намагайтеся висвердлити анкерні отвори або отвори в бетоні з регулюванням режиму роботи інструменту лише за допомогою функції обертання.
    - Не намагайтеся використовувати перфоратор для свердильної та ударної функції з під'єднаним затискним патроном і перехідником патрона. Це істотно зменшить термін експлуатації кожного компонента пристрою.
  12. Тільки ударна функція  
DH28PMY2 тільки: Використання підставки для свердел (стандартна комплектація)



## СИМВОЛИ

## ПОПЕРЕДЖЕННЯ

Нижче наведено символи, які зазначаються на пристрої. Впевніться, що розумієте їх значення перед використанням.

	DH24PG2 / DH24PH2 / DH26PB2 / DH26PC2 / DH28PBV2 / DH28PCY2 / DH28PMY2: Комбінований перфторатор
	Щоб зменшити ризик отримання травми, користувач повинен прочитати інструкції з експлуатації.
	Лише для країн ЄС Не викидайте електричні інструменти із побутовими відходами! Згідно Директиви Європейського Союзу 2012/19/ЄС щодо відпрацьованого електричного й електронного обладнання та її запровадження згідно місцевих законів, електроінструменти, в яких закінчився термін експлуатації, слід утилізувати окремо і повертати до установ, що займаються екологічною переробкою брухту.
V	Номинальна напруга (Переконайтеся, що джерело живлення, яким будете користуватися, відповідає вимогам до живлення, зазначеним на паспортній табличці пристрою.)
P	Вхід живлення
n <sub>0</sub>	Швидкість без навантаження
v <sub>rpm</sub>	Частота ударів при повному навантаженні
φ <sub>max</sub>	Діаметр свердління, макс. значення.
	Вага (згідно з процедурою 01/2003 Європейської асоціації виробників електроінструмента)
	Бетон
	Сталь
	Дерево
	Функція обертання та ударна функція
	Тільки функція обертання
	Тільки ударна функція
I	Перемикач УВИМК.
O	Перемикач ВИМК.
	Від'єднайте штепсельну вилку від електричної розетки
	Електричний пристрій класу II

## СТАНДАРТНІ АКСЕСУАРИ



Окрім основного пристрою (1 пристрій), до комплекту входять аксесуари, перелік яких представлено нижче.

○ Пластиковий корпус .....	1
○ Бічна рукоятка .....	1
○ Глибиномір .....	1
○ Підставка для патронів для свердел (DH28PMY2 тільки) .....	1

Комплект стандартного приладдя може бути змінений без попередження.

## ОБЛАСТІ ЗАСТОСУВАННЯ

Функція обертання та ударна функція 

- Свердління анкерних отворів
  - Свердління отворів у бетоні
  - Свердління отворів у пористої цеглі
  - Тільки функція обертання 
  - Свердління сталі чи дерева (з додатковим приладдям)
  - Загвинчування малих кріпильних гвинтів, шурупів для дерева (з додатковим приладдям)
- Тільки ударна функція 
- (DH24PH2, DH26PC2, DH28PCY2, DH28PMY2)
- Полегшене добання бетону, канавок і окантовок.

## ТЕХНІЧНІ ХАРАКТЕРИСТИКИ

Технічні характеристики даного пристрою представлено у таблиці на сторінці 17.

## ПРИМІТКА

Через постійні дослідження і розвиток, які здійснює компанія НіКОКІ, технічні характеристики можуть змінюватися без попередження.

## УСТАНОВКА ТА ЕКСПЛУАТАЦІЯ

Операція	Малюнок	Сторінка
Установка інструменту SDS-plus	1	18
Зняття інструменту SDS-plus	2	18
Вибір напрямку обертання	3	18
Вибір робочого режиму	4	18
Регулювання глибини свердління	5	18
Зміна положення долота	6	18
Усунення патрона швидкого виймання (DH28PMY2)*1	7	19
Вставлення патрона швидкого виймання (DH28PMY2)	8	19
Вставлення круглих хвостових додатків (DH28PMY2)	9	19
Увімкнення, вимкнення та налаштування швидкості	10	19
Блокування перемикача увімкнення / вимкнення	11	19
Зняття блокування перемикача увімкнення / вимкнення	12	19
Вибір аксесуарів*2	-	20, 21

# Українська

- \*1 Якщо тримач патрона чи свердла вийняти важко, сумістіть важіль перемикання з позначкою **T** і поверніть фіксувальну муфту.
- \*2 Стосовно детальної інформації щодо кожного інструменту зверніться до авторизованого сервісного центру НІКОКІ.

## ЗМАЩУВАННЯ

Даний комбінований перфратор має повністю герметичну конструкцію, яка захищає від пилу та запобігає витоку змащувального матеріалу.

Тому даний комбінований перфратор може експлуатуватися без змащування протягом тривалих періодів. Міняйте мастило при кожній заміні вугільної щітки для підтримки терміну експлуатації.

Подальше використання перфратора із заблокованою подачею мастила викличе скорочення терміну експлуатації.

### ОБЕРЕЖНО

Спеціальне мастило використовується для даного пристрою, тому нормальна продуктивність праці пристрою може сильно постраждати від використання іншого мастила. Будь ласка, не забудьте повідомити одного з наших сервісних агентів про заміну мастила.

## ТЕХНІЧНЕ ОБСЛУГОВУВАННЯ ТА ОГЛЯД

### 1. Огляд інструментів

Оскільки використання затупленого інструмента стане причиною порушень у роботі двигуна та погіршення ефективності роботи, необхідно замінити інструмент новим або негайно його заточити, якщо помічено стирання.

### 2. Огляд кріпильних гвинтів

Регулярно оглядайте всі кріпильні гвинти і перевіряйте їх належну затяжку. При ослабленні будь-яких гвинтів, негайно затягніть їх повторно. Невиконання цієї вимоги може призвести до серйозної небезпеки.

### 3. Технічне обслуговування двигуна

Головним компонентом електроінструменту є обмотка двигуна.

Приділяйте належну увагу тому, щоб обмотку не було пошкоджено та/або до неї не потрапило мастило або вода.

### 4. Перевірка вугільних щіток

Щоб забезпечити вашу безпеку і захистити від ураження електричним струмом, огляд і заміну вугільних щіток цієї машини слід проводити ТІЛЬКИ в уповноваженому сервісному центрі НІКОКІ.

### 5. Заміна шнура живлення

Щоб уникнути небезпеки травмування, заміна шнура живлення повинна проводитися виробником цього елемента.

### ОБЕРЕЖНО

Під час експлуатації та технічного обслуговування електроінструментів необхідно дотримуватися правил техніки безпеки й норм, встановлених у кожній країні.

## ГАРАНТІЯ

Ми гарантуємо, що автоматичні інструменти НІКОКІ виготовлені згідно місцевих вказівок. Ця гарантія не розповсюджується на дефекти або пошкодження через зловживання, неправильне користування або звичайне спрацювання. Якщо маєте скарги, будь ласка, надішліть електроінструмент, не розбираючи його, з ГАРАНТІЙНИМ СЕРТИФІКАТОМ, який знаходиться в кінці даної інструкції з використання, до авторизованого сервісного центру НІКОКІ.

## Інформація про шум та вібрацію

Виміряні величини визначені згідно EN60745 і визначено такими, що відповідають ISO 4871.

Вимірний рівень потужності звуку в співвідношенні А:

101 дБ (А) (DH24PG2, DH24PH2)

102 дБ (А) (DH26PB2, DH26PC2)

101 дБ (А) (DH28PB2, DH28PC2, DH28PM2)

Зважений рівень звукового тиску, вимірний із частотним фільтром А:

90 дБ (А) (DH24PG2, DH24PH2)

91 дБ (А) (DH26PB2, DH26PC2)

90 дБ (А) (DH28PB2, DH28PC2, DH28PM2)

Похибка К: 3 дБ (А).

Носить пристрій захисту органів слуху.

Повні значення вібрації (триаксальна векторна сума) визначено згідно з EN60745.

Ударне свердління бетону:

Величина вібрації **a<sub>h</sub>**, **HD**=

14,5 м/с<sup>2</sup> (DH24PG2, DH24PH2)

14,3 м/с<sup>2</sup> (DH26PB2, DH26PC2)

11,2 м/с<sup>2</sup> (DH28PB2, DH28PC2, DH28PM2)

Похибка К = 1,5 м/с<sup>2</sup>

Еквівалент значення довбання:

Величина вібрації **a<sub>h</sub>**, **СNeq**=

11,5 м/с<sup>2</sup> (DH24PH2)

11,3 м/с<sup>2</sup> (DH26PC2)

9,9 м/с<sup>2</sup> (DH28PC2, DH28PM2)

Похибка К = 1,5 м/с<sup>2</sup>

Зазначений рівень вібрації був вимірний згідно стандартного тесту і може бути використаний при порівнянні інструментів між собою.

Він може використовуватися для первинного визначення впливу.

### ПОПЕРЕДЖЕННЯ

○ Значення вібрації під час поточного користування електроінструментом може відрізнятися від заявленого, залежно від способу застосування інструмента.

○ Визначте заходи безпеки для оператора згідно із застосуванням у фактичних умовах експлуатації (беручи до уваги всі частини робочого циклу, такі як періоди, коли інструмент вимкнуто та коли інструмент працює в холостому режимі на додаток до часу запуску).

### ПРИМІТКА

Через постійні дослідження і розвиток, які здійснює компанія НІКОКІ, технічні характеристики можуть змінюватися без попередження.

## ОБЩИЕ ПРАВИЛА БЕЗОПАСНОГО ИСПОЛЬЗОВАНИЯ ЭЛЕКТРОИНСТРУМЕНТА

### ⚠ ПРЕДУПРЕЖДЕНИЕ

Прочтите все правила безопасности и инструкции. Не выполнение правил и инструкций может привести к поражению электрическим током, пожару и/или серьезной травме.

Сохраняйте все правила и инструкции на будущее.

Термин «электроинструмент» в контексте мер предосторожности относится к эксплуатируемому электроинструменту с питанием от сетевой розетки (с сетевым шнуром) или электроинструменту с питанием от аккумуляторной батареи (беспроводному).

#### 1) Безопасность на рабочем месте

- a) Поддерживайте чистоту и хорошее освещение на рабочем месте.

Беспорядок и плохое освещение приводят к несчастным случаям.

- b) Не используйте электроинструменты во взрывоопасных окружающих условиях, например, в непосредственной близости огнеопасных жидкостей, горючих газов или легковоспламеняющейся пыли.

Электроинструменты порождают искры, которые могут воспламенить пыль или испарения.

- c) Держите детей и наблюдающих на безопасном расстоянии во время эксплуатации электроинструмента.

Отвлечение внимания может стать для вас причиной потери управления.

#### 2) Электробезопасность

- a) Сетевые вилки электроинструментов должны соответствовать сетевой розетке.

Никогда не модифицируйте штепсельную вилку никоим образом.

Не используйте никакие адаптерные переходники с заземлёнными (замкнутыми на землю) электроинструментами.

Немодифицированные штепсельные вилки и соответствующие им сетевые розетки уменьшат опасность поражения электрическим током.

- b) Не прикасайтесь телом к заземленным поверхностям, например, к трубопроводам, радиаторам, кухонным плитам и холодильникам.

Если ваше тело соприкоснется с заземленными поверхностями, возрастает опасность поражения электрическим током.

- c) Не подвергайте электроинструменты действию воды или влаги.

При попадании воды в электроинструмент возрастает опасность поражения электрическим током.

- d) Правильно обращайтесь со шнуром. Никогда не переносите электроинструмент, взявшись за шнур, не тяните за шнур и не дергайте за шнур с целью отсоединения электроинструмента от сетевой розетки.

Располагайте шнур подальше от источников тепла, нефтепродуктов, предметов с острыми кромками и движущихся деталей.

Поврежденные или запутанные шнуры увеличивают опасность поражения электрическим током.

- e) При эксплуатации электроинструмента вне помещений, используйте удлинительный шнур, предназначенный для использования вне помещения.

Использование шнура, предназначенного для работы вне помещений, уменьшит опасность поражения электрическим током.

- f) При эксплуатации электроинструмента во влажной среде используйте устройство защитного отключения источника питания.

Использование устройства защитного отключения уменьшит опасность поражения электрическим током.

#### 3) Личная безопасность

- a) Будьте готовы к неожиданным ситуациям, внимательно следите за своими действиями и руководствуйтесь здравым смыслом при эксплуатации электроинструмента.

Не используйте электроинструмент, когда вы устали или находитесь под влиянием наркотиков, алкоголя или лекарственных препаратов.

Мгновенная потеря внимания во время эксплуатации электроинструментов может привести к серьезной травме.

- b) Используйте индивидуальные средства защиты. Всегда надевайте средства защиты глаз.

Защитное снаряжение, например, противопылевой респиратор, защитная обувь с нескользкой подошвой, защитный шлем-каска или средства защиты органов слуха, используемые для соответствующих условий, уменьшат травмы.

- c) Избегайте непреднамеренного включения двигателя. Убедитесь в том, что выключатель находится в положении выключения перед подниманием, переноской или подсоединением к сетевой розетке и/или портативному батарейному источнику питания.

Переноска электроинструментов, когда вы держите палец на выключателе, или подсоединение электроинструментов к сетевой розетке, когда выключатель находится в положении включения, приводит к несчастным случаям.

- d) Снимите все регулировочные или гаечные ключи перед включением электроинструмента.

Гаечный или регулировочный ключ, оставленный прикрепленным к вращающейся детали электроинструмента, может привести к получению травмы.

- e) Не теряйте устойчивости. Все время имейте точку опоры и сохраняйте равновесие.

Это поможет лучше управлять электроинструментом в непредвиденных ситуациях.

- f) Одевайтесь надлежащим образом. Не надевайте просторную одежду или ювелирные изделия. Держите волосы, одежду и перчатки как можно дальше от движущихся частей.

Просторная одежда, ювелирные изделия или длинные волосы могут попасть в движущиеся части.

- g) Если предусмотрены устройства для присоединения приспособлений для отвода и сбора пыли, убедитесь в том, что они присоединены и используются надлежащим образом.

Использование данных устройств может уменьшить опасности, связанные с пылью.

## 4) Эксплуатация и обслуживание электроинструментов

- a) Не перегружайте электроинструмент. Используйте надлежащий для вашего применения электроинструмент.

*Надлежащий электроинструмент будет выполнять работу лучше и надежнее в том режиме работы, на который он рассчитан.*

- b) Не используйте электроинструмент с неисправным выключателем, если с его помощью нельзя будет включить и выключить инструмент.

*Каждый электроинструмент, которым нельзя управлять с помощью выключателя, будет представлять опасность, и его будет необходимо отремонтировать.*

- c) Отсоедините штепсельную вилку от источника питания и/или портативный батарейный источник питания от электроинструмента перед началом выполнения какой-либо из регулировок, перед сменой принадлежностей или хранением электроинструментов.

*Такие профилактические меры безопасности уменьшат опасность непреднамеренного включения двигателя электроинструмента.*

- d) Храните неиспользуемые электроинструменты в недоступном для детей месте и не разрешайте людям, не умеющим обращаться с электроинструментом или не изучившим данное руководство, работать с электроинструментом.

*Электроинструменты представляют опасность в руках неподготовленных пользователей.*

- e) Содержите электроинструменты в исправности. Проверьте, нет ли несоосности или заедания движущихся частей, повреждения деталей или какою-либо другого обстоятельства, которое может повлиять на функционирование электроинструмента.

*При наличии повреждений отремонтируйте электроинструмент перед его эксплуатацией. Большое количество несчастных случаев связано с плохим обслуживанием электроинструментов.*

- f) Содержите режущие инструменты остро заточенными и чистыми.

*Надлежащим образом содержащиеся в исправности режущие инструменты с острыми режущими кромками будут меньше заедать и будут легче в управлении.*

- g) Используйте электроинструмент, принадлежности, насадки и т.п. в соответствии с данным руководством, принимая во внимание условия и объем выполняемой работы.

*Использование электроинструмента для выполнения работ не по прямому назначению может привести к опасной ситуации.*

## 5) Обслуживание

- a) Обслуживание Вашего электроинструмента должно выполняться квалифицированным представителем ремонтной службы с использованием только идентичных запасных частей.

*Это обеспечит сохранность и безопасность электроинструмента.*

## МЕРЫ ПРЕДОСТОРОЖНОСТИ

**Держите подальше от детей и немощных людей.**

**Если инструменты не используются, их следует хранить в недоступном для детей и немощных людей месте.**

## ПРЕДОСТЕРЕЖЕНИЯ ОТ ОПАСНОСТИ ПРИ ИСПОЛЬЗОВАНИИ ПЕРФОРАТОРА

1. **Одевайте средства защиты органов слуха**  
Воздействие шума может привести к потере слуха.
2. **Используйте вспомогательные рукоятки, если они прилагаются к инструменту.**  
Потеря управления инструментом может привести к травме.
3. **При выполнении операций, во время которых режущая насадка может контактировать со скрытой проводкой или шнуром питания, держите электроинструмент за изолированные поверхности захвата.**  
При контакте режущих принадлежностей с проводкой, находящейся под напряжением, неизолированные металлические части электроинструмента могут проводить электрический ток, который приведет к поражению оператора.

## ДОПОЛНИТЕЛЬНЫЕ УКАЗАНИЯ ПО ОБЕСПЕЧЕНИЮ БЕЗОПАСНОСТИ

1. Проследите за тем, чтобы используемый источник электропитания соответствовал требованиям к источнику электропитания, указанным на типовой табличке изделия.
2. Убедитесь в том, что переключатель находится в положении «Выкл.».  
Если вы вставляете штепсель в розетку, а переключатель находится в положении «Вкл.», инструмент немедленно заработает, что может стать причиной серьезной травмы.
3. Когда рабочая площадка удалена от источника электропитания, пользуйтесь удлинителем. Удлинитель должен иметь требуемую площадь поперечного сечения и обеспечивать работу инструмента заданной мощности. Разматывайте удлинитель только на реально необходимую для данного конкретного применения длину.
4. Не дотрагивайтесь до насадки во время работы и сразу после ее окончания. Насадка сильно нагревается во время работы и может стать причиной серьезных ожогов.
5. Перед тем как начать долбить или сверлить стену, пол или потолок, убедитесь в том, что внутри не проложены электрические кабели или водопроводные трубы.
6. Всегда крепко держите корпус рукоятки и боковую рукоятку электроинструмента. В противном случае сила отдачи может привести к неточным и даже опасным действиям.
7. Надевайте респиратор.  
Не вдыхайте вредные пыли, образующейся в результате сверления или рубки. Пыль может представлять опасность для Вашего здоровья и здоровья окружающих.
8. Установка инструмента
- Во избежание несчастных случаев убедитесь в том, что переключатель выключен, а штепсельная вилка отсоединена от розетки.
- При использовании таких инструментов как пирамидальные долота, сверла и т. д., обязательно используйте оригинальные запчасти, определенные нашей компанией.
- Очистите заднюю часть инструмента.
- Проверьте зажим, потянув на себя инструмент.

9. Во избежание несчастных случаев убедитесь в том, что переключатель выключен, а штепсельная вилка отсоединена от розетки, когда сверла и другие детали установлены или удалены. Питание должно быть выключено в процессе перерыва и после работы.
10. Вращение + долбление  
Только DH28PMY2: Использование держателя сверла (стандартные приспособления)  
Когда сверло касается строительной железной заготовки, оно мгновенно остановится и перфоратор будет реагировать на вращение. Поэтому надежно закрепите боковую рукоятку.
11. Только вращение  
Сверление деревянных или металлических предметов используя сверлильный и переходной патрон (дополнительный аксессуар).  
Только DH28PMY2: Использование держателя сверлильного патрона (стандартные приспособления)
  - Применение силы больше, чем необходимо не только ускорит работу, но и ухудшит торцевую кромку сверла и в добавок уменьшит срок службы перфоратора.
  - Сверла могут обломаться при выводе перфоратора из пробуренной скважины. Для извлечения, необходимо использовать движение нажатием.
  - Не пытайтесь сверлить крепежные отверстия или отверстия в бетоне с помощью инструмента установленного в положение «только вращение».
  - Не пытайтесь использовать перфоратор в режиме «вращение и перфорирование» при подключенном сверлильном и переходном патроне. Такая ситуация может серьезно сократить срок эксплуатации каждого компонента устройства.
12. Только долбление  
Только DH28PMY2: Использование держателя сверла (стандартные приспособления)

	Скорость без нагрузки
	Частота ударов при полной нагрузке
	Диаметр сверления, макс.
	Вес (согласно процедуре 01/2003 EPTA (Европейской ассоциации производителей электроинструмента)).
	Бетон
	Сталь
	Дерево
	Функция «вращение и долбление»
	Функция «только вращение»
	Функция «только долбление»
	Включение
	Переключатель ВЫКЛ.
	Отсоедините сетевой шнур от розетки электросети
	Электроинструмент класса II

## СИМВОЛЫ

### ПРЕДУПРЕЖДЕНИЕ

Ниже приведены символы, используемые для устройства. Перед началом работы обязательно убедитесь в том, что вы понимаете их значение.

	DH24PG2 / DH24PH2 / DH26PB2 / DH26PC2 / DH28PBV2 / DH28PCY2 / DH28PMY2: Комбинированный перфоратор
	Чтобы уменьшить опасность получения травм, пользователь должен прочитать руководство по эксплуатации.
	Только для стран ЕС Не выкидывайте электроприборы вместе с обычным мусором! В соответствии с европейской директивой 2012/19/ЕС об утилизации старых электрических и электронных приборов и в соответствии с местными законами электроприборы, бывшие в эксплуатации, должны утилизироваться отдельно безопасным для окружающей среды способом.
	Номинальное напряжение (Проследите за тем, чтобы используемый источник электропитания соответствовал требованиям к источнику электропитания, указанным на заводской табличке изделия.)
	Потребляемая мощность

## СТАНДАРТНЫЕ ПРИНАДЛЕЖНОСТИ

В дополнение к основному инструменту (позиция 1) в комплект входят дополнительные принадлежности, перечень которых приведен ниже.

- Пластмассовый футляр ..... 1
- Боковая рукоятка ..... 1
- Глубиномер ..... 1
- Держатель сверлильного патрона (только DH28PMY2) ..... 1

Состав и тип дополнительных принадлежностей может быть изменен без предварительного уведомления.

## НАЗНАЧЕНИЕ

- Функция «вращение и долбление»
- Сверление крепежных отверстий
  - Сверление отверстий в бетоне
  - Сверление отверстий в плитке
- Функция «только вращение»
- Сверление стали или дерева (с дополнительными принадлежностями)
  - Затягивание крепежных винтов, шурупов для дерева (с дополнительными принадлежностями)
- Функция «только долбление»
- (DH24PH2, DH26PC2, DH28PCY2, DH28PMY2)
- Облегченный режим долбления бетона, выемка паза и окантовка.

## СПЕЦИФИКАЦИИ

Спецификации данного инструмента представлены в таблице на странице 17.

### ПРИМЕЧАНИЕ

На основании постоянных программ исследования и развития компания HiKOKI оставляет за собой право на изменение указанных здесь технических данных без предварительного уведомления.

## УСТАНОВКА И ЭКСПЛУАТАЦИЯ

Операция	Рисунок	Страница
Установка инструментов SDS-plus	1	18
Снятие инструментов SDS-plus	2	18
Выбор направления вращения	3	18
Выбор режима работы	4	18
Регулирование глубины сверления	5	18
Изменение положения долота	6	18
Снятие быстроснимающегося патрона (DH28PMY2)*1	7	19
Установка быстроснимающегося патрона (DH28PMY2)	8	19
Установка прикладного оборудования цилиндрического хвостовика (DH28PMY2)	9	19
Включение, выключение и установка скорости	10	19
Блокировка переключателя включения / выключения	11	19
Разблокировка переключателя включения / выключения	12	19
Выбор принадлежностей*2	-	20, 21

\*1 Если вытянуть держатель сверлильного патрона или держатель головки сверла трудно, совместите рычаг переключения с **T** отметкой и поверните зажимное устройство.

\*2 Для получения более подробной информации по каждому инструменту обратитесь к представителю авторизованного сервисного центра HiKOKI.

## СМАЗКА

Данный перфоратор имеет полностью герметичную конструкцию для защиты от пыли и вытекания смазки. Поэтому данный перфоратор можно долгое время эксплуатировать без повторной смазки. Заменяйте смазку при каждой замене графитовой щетки для поддержания срока службы.

Дальнейшее использование перфоратора со смазкой крепежного приспособления может привести к снижению срока службы машины.

### ОСТОРОЖНО

С этой машиной используется специальная смазка, поэтому, при использовании другой смазки нормальная производительность машины может сильно пострадать. Пожалуйста, проведите замену смазки с помощью одного из наших сервисных агентов.

## ТЕХНИЧЕСКОЕ ОБСЛУЖИВАНИЕ И ОСМОТР

### 1. Осмотр инструментов

Поскольку использование затупившегося инструмента вызовет сбой в работе двигателя и уменьшит эффективность, при обнаружении износа замените инструменты новыми или заточите их без промедления.

### 2. Осмотр крепежных винтов

Регулярно выполняйте осмотр всех крепежных винтов и проверяйте их надлежащую затяжку. При ослаблении каких-либо винтов немедленно затяните их повторно. Невыполнение этого требования может привести к серьезной опасности.

### 3. Обслуживание двигателя

Обмотка двигателя представляет собой «сердце» электроинструмента.

Соблюдайте надлежащие меры предосторожности для защиты обмотки от повреждений и/или попадания на нее влаги, масла или воды.

### 4. Проверка угольных щеток

Для обеспечения постоянной безопасности и защиты от поражения электрическим током осмотр и замену угольной щетки на данном инструменте следует проводить ТОЛЬКО в уполномоченном сервисном центре HiKOKI.

### 5. Замена сетевого шнура

Во избежание опасности травмирования замена шнура питания должна производиться изготовителем этого элемента.

### ОСТОРОЖНО

При эксплуатации и техническом обслуживании электроинструментов, должны быть соблюдены правила техники безопасности и нормы, установленные в каждой стране.

### ГАРАНТИЯ

Мы гарантируем соответствие автоматических инструментов HiKOKI нормативным/национальным нормам. Данная гарантия не распространяется на дефекты или ущерб, возникший вследствие неправильного использования или ненадлежащего обращения, а также нормального износа. В случае подачи жалобы отправляйте автоматический инструмент в нерабочем состоянии вместе с ГАРАНТИЙНЫМ СЕРТИФИКАТОМ, который находится в конце инструкции по обращению, в уполномоченный центр обслуживания HiKOKI.

---

### Информация, касающаяся создаваемого шума и вибрации

Измеряемые величины были определены в соответствии со стандартом EN60745 и заявлены в соответствии с ISO 4871.

Измеренный средневзвешенный уровень звуковой мощности:

- 101 дБ (A) (DH24PG2, DH24PH2)
- 102 дБ (A) (DH26PB2, DH26PC2)
- 101 дБ (A) (DH28PBY2, DH28PCY2, DH28PMY2)

Измеренный средневзвешенный уровень звукового давления:

- 90 дБ (A) (DH24PG2, DH24PH2)
- 91 дБ (A) (DH26PB2, DH26PC2)
- 90 дБ (A) (DH28PBY2, DH28PCY2, DH28PMY2)

Погрешность K: 3 дБ (A).

Надевайте средства защиты органов слуха.

Общие значения вибрации (сумма векторов триаксиального кабеля) определяются в соответствии с EN60745.

Ударное сверление по бетону:

Величина вибрации **a<sub>h</sub>**, **HD** =

- 14,5 м/с<sup>2</sup> (DH24PG2, DH24PH2)
- 14,3 м/с<sup>2</sup> (DH26PB2, DH26PC2)
- 11,2 м/с<sup>2</sup> (DH28PBY2, DH28PCY2, DH28PMY2)

Погрешность K = 1,5 м/с<sup>2</sup>

Эквивалент значения долбления:

Величина вибрации **a<sub>h</sub>**, **C<sub>Heq</sub>** =

- 11,5 м/с<sup>2</sup> (DH24PH2)
- 11,3 м/с<sup>2</sup> (DH26PC2)
- 9,9 м/с<sup>2</sup> (DH28PCY2, DH28PMY2)

Погрешность K = 1,5 м/с<sup>2</sup>

---

Заявленное суммарное значение вибрации было измерено в соответствии со стандартным методом испытаний и может применяться для сравнения инструментов.

Оно также может использоваться для предварительной оценки воздействия.

#### ПРЕДУПРЕЖДЕНИЕ

- Уровень вибрации во время фактического использования электроинструмента может отличаться от заявленного суммарного значения, в зависимости от способа использования устройства.
- Определить меры предосторожности для защиты оператора, которые основаны на расчете воздействия при фактических условиях использования (принимая во внимание все периоды цикла эксплуатации, то есть когда инструмент выключен, работает на холостом ходу, а также время запуска).

---

#### ПРИМЕЧАНИЕ

На основании постоянных программ исследования и развития компания HiKOKI оставляет за собой право на изменение указанных здесь технических данных без предварительного уведомления.

---



## Приложение к руководству по эксплуатации электроинструмента и бензоинструмента HiKOKI

1. Внимательно ознакомьтесь с указаниями по технике безопасности, которые находятся в руководстве по эксплуатации изделия в разделе «Указания по безопасности».
2. Внимательно ознакомьтесь с дополнительной информацией, приведенной ниже:

Срок службы изделия	Срок службы изделия составляет 5 лет от даты продажи. Не рекомендуется к эксплуатации по истечении 5 лет хранения с даты изготовления без предварительной проверки (дату изготовления см. на этикетке)
Хранение	<ul style="list-style-type: none"> <li>- необходимо хранить в сухом месте</li> <li>- необходимо хранить вдали от источников повышенных температур и воздействия солнечных лучей</li> <li>- при хранении необходимо избегать резкого перепада температур</li> <li>- хранение без упаковки не допускается</li> <li>- подробные требования к условиям хранения смотрите в ГОСТ 15150 (условие 1)</li> </ul>
Транспортировка	<ul style="list-style-type: none"> <li>- категорически не допускается падение и любые механические воздействия на упаковку при транспортировке</li> <li>- при разгрузке/погрузке не допускается использование любого вида техники, работающей по принципу зажима упаковки</li> <li>- подробные требования к условиям транспортировке смотрите в ГОСТ 15150 (условие 5)</li> </ul>

### ДОПОЛНИТЕЛЬНАЯ ИНФОРМАЦИЯ

Сведения о месяце и дате производства см. на изделии и на упаковке. Месяцы кодируются цифрами и буквами: 1-9 – янв-сент, O-окт, N-нояб, D-дек. Год кодируется по последней цифре текущего года.

Товар сертифицирован. Сертификат выдан ООО «Центр по сертификации, стандартизации и систем качества электро-машиностроительной продукции». Сертификат спрашивайте у продавца.

Изготовитель: Коки Холдингз Ко. Лтд, Шинагава Интерсити Тауэр А, 15-1, Конан2-чомэ, Минато-ку, Токио 108-6020 Япония.

Представитель в России: ООО «Хайкоки Пауэр Тулз РУС», 115409, РФ, г. Москва, Каширское шоссе, д.41, стр.2.












#### Раздел «ОБЩИЕ ПРАВИЛА БЕЗОПАСНОСТИ ПРИ РАБОТЕ ЭЛЕКТРОИНСТРУМЕНТОМ»

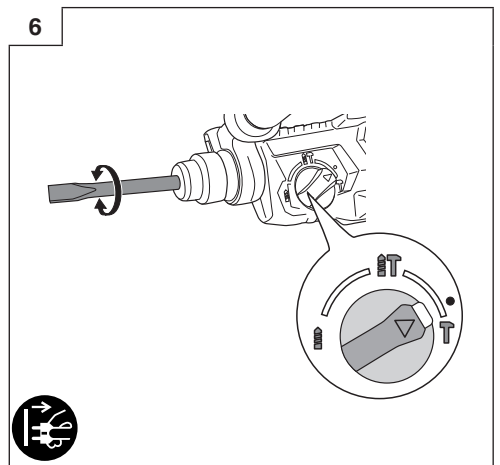
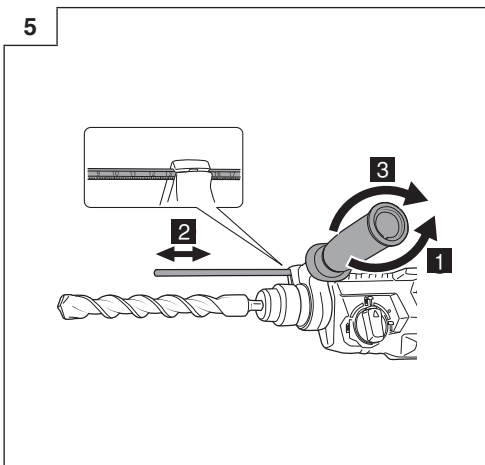
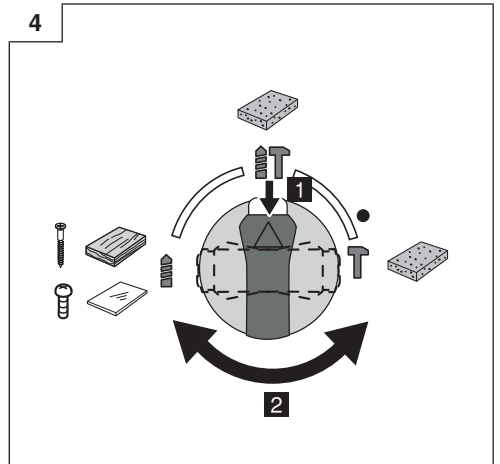
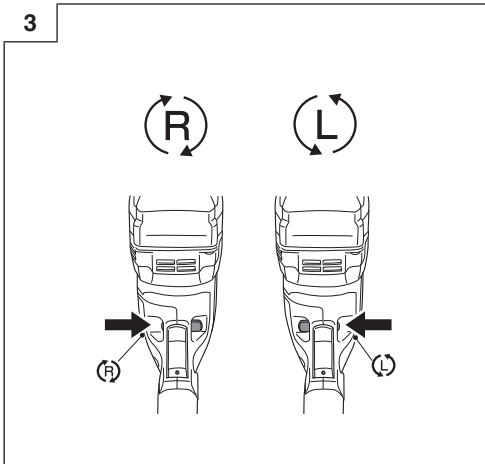
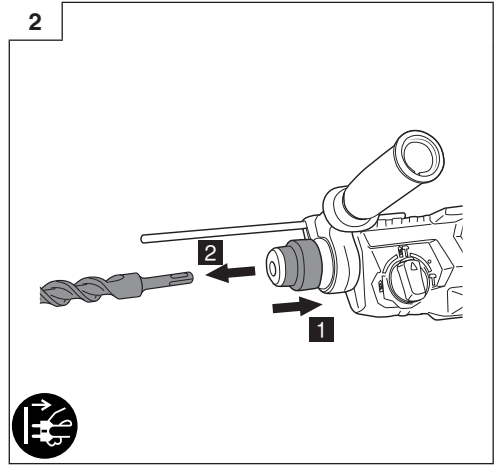
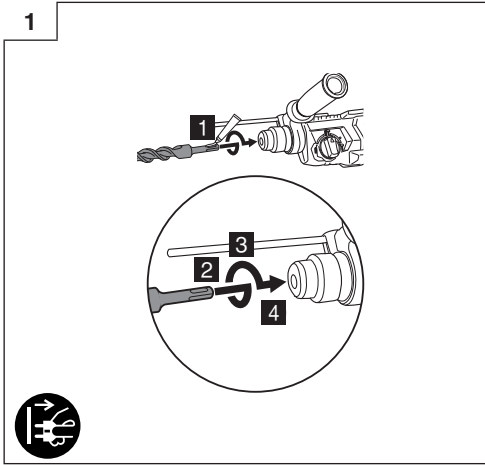
в параграфе 3) Личная безопасность,

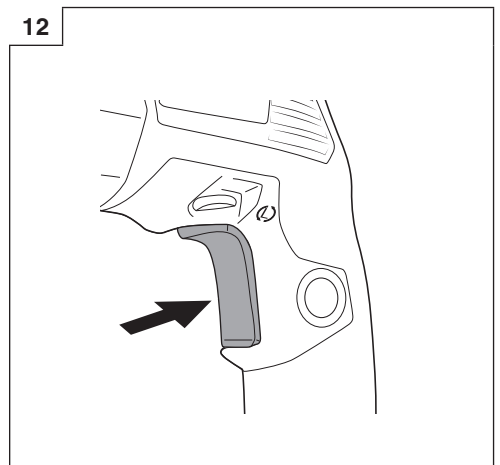
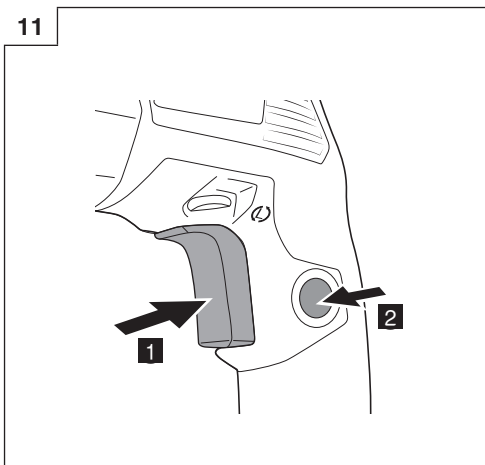
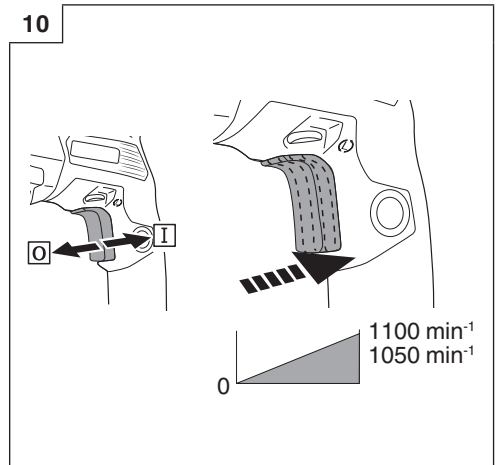
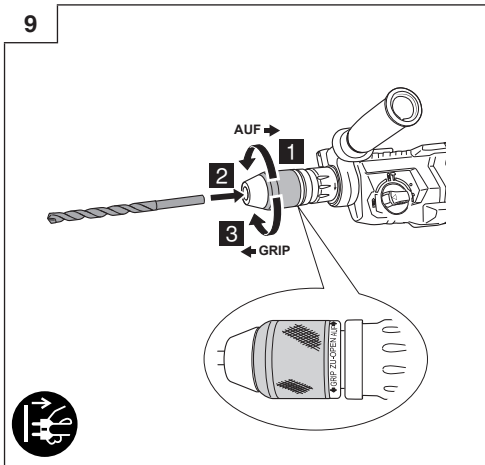
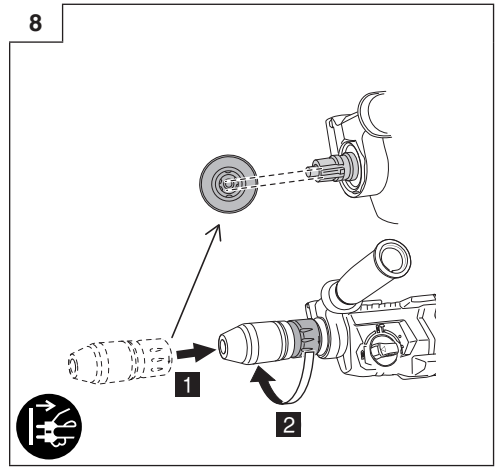
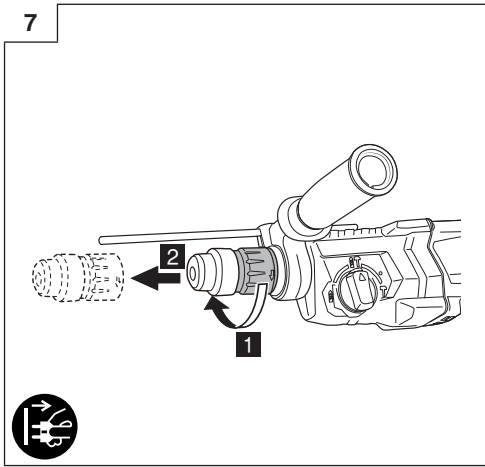
дополнить следующим пунктом:

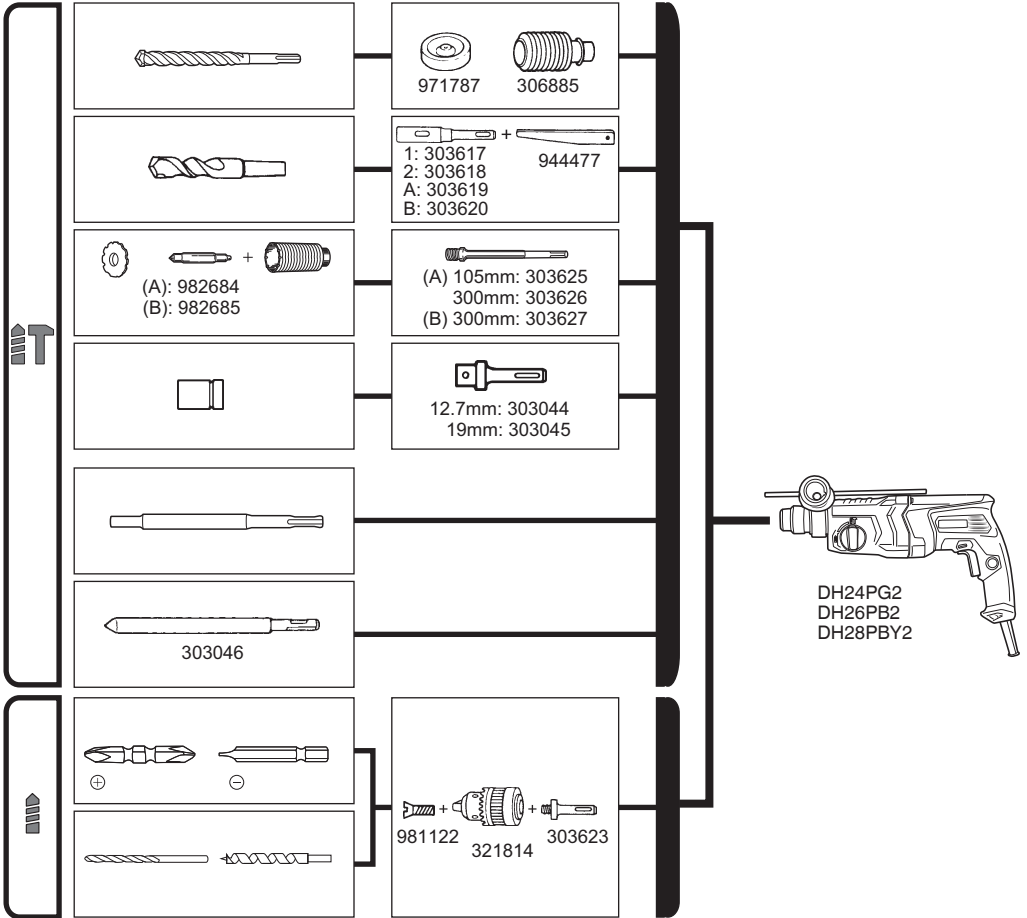
- h) При полном или частичном прекращении электроснабжения и последующим его восстановлению, а также при повреждении цепи управления электроснабжением всегда переводите выключатель в положение OFF (выключено) и не предпринимайте каких-либо действий с электроинструментом во избежание возникновения опасных ситуаций, связанных с самопроизвольным пуском электроинструмента.

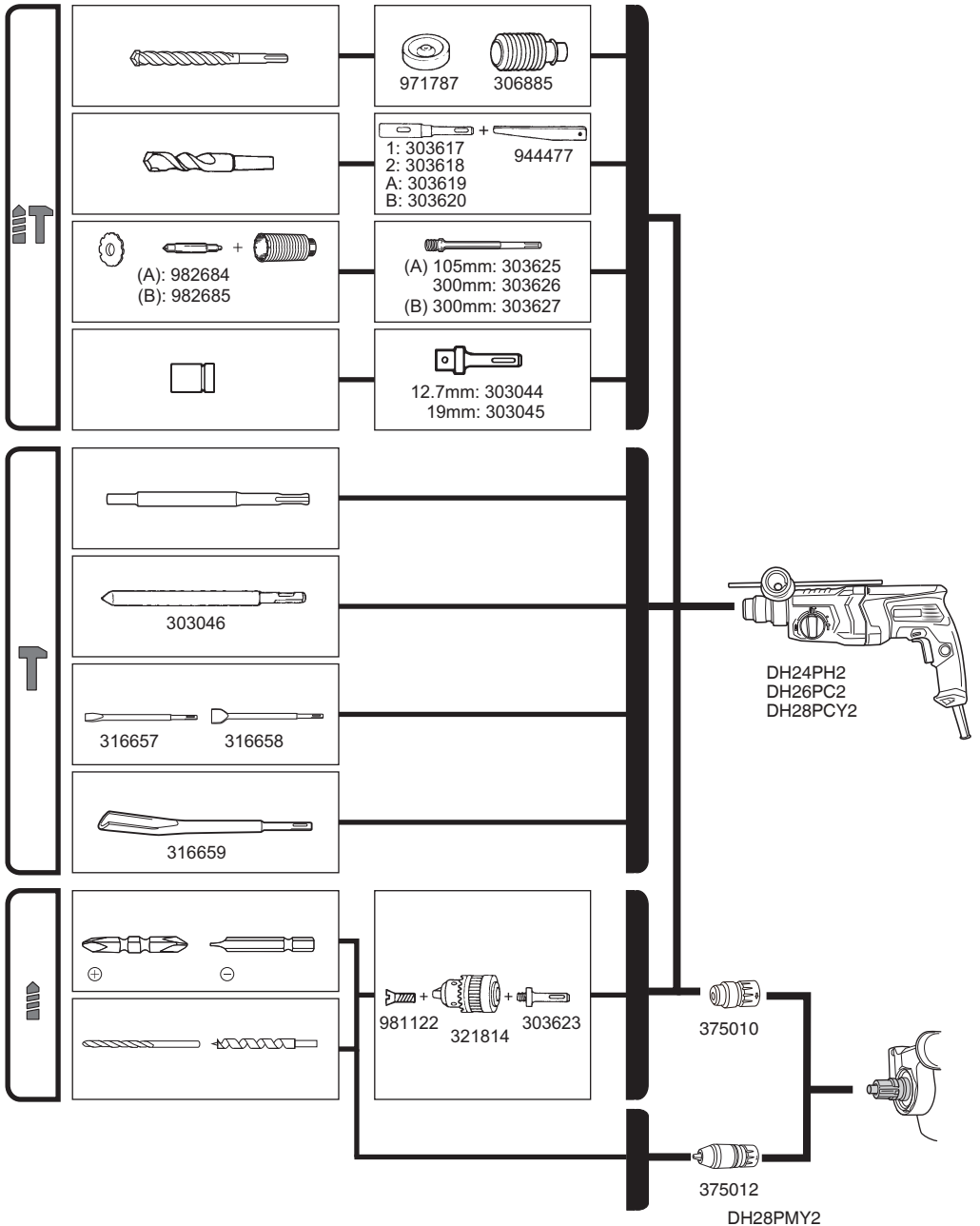


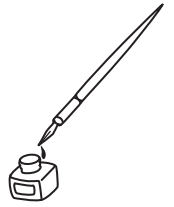
	DH24PG2 	DH24PH2 	DH26PB2 	DH26PC2 	DH28PBY2 	DH28PCY2 	DH28PMY2 
V	230V ~						
P	730W		830W		850W		
$n_0$	0 – 1050 min <sup>-1</sup>		0 – 1100 min <sup>-1</sup>				
Bpm	0 – 3950 min <sup>-1</sup>		0 – 4300 min <sup>-1</sup>				
$\phi$ max 	3,4 – 24 mm		3,4 – 26 mm		3,4 – 28 mm		
$\phi$ max 	13 mm						
$\phi$ max 	32 mm						
 kg	2,8 kg				3,0 kg		3,1 kg









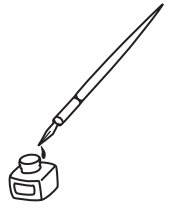


# HIKOKI

English	<b>GUARANTEE CERTIFICATE</b> ① Model No. ② Serial No. ③ Date of Purchase ④ Customer Name and Address ⑤ Dealer Name and Address (Please stamp dealer name and address)	Русский	<b>ГАРАНТИЙНЫЙ СЕРТИФИКАТ</b> ① Модель № ② Серийный № ③ Дата покупки ④ Название и адрес заказчика ⑤ Название и адрес дилера (Пожалуйста, внесите название и адрес дилера)
Український	<b>ГАРАНТІЙНИЙ СЕРТИФІКАТ</b> ① № моделі ② № серії ③ Дата придбання ④ Ім'я і адреса клієнта ⑤ Ім'я і адреса дилера (Будь ласка, поставте печатку з іменем і адресою дилера)		

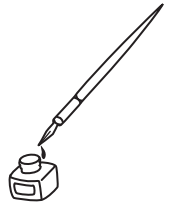
①	
②	
③	
④	
⑤	

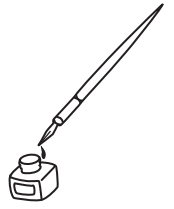












<p>English</p> <p><b>EC DECLARATION OF CONFORMITY</b></p> <p>We declare under our sole responsibility that Rotary Hammer, identified by type and specific identification code *1), is in conformity with all relevant requirements of the directives *2) and standards *3). Technical file at *4) – See below. The European Standard Manager at the representative office in Europe is authorized to compile the technical file. The declaration is applicable to the product affixed CE marking.</p>	<p>Русский</p> <p><b>ДЕКЛАРАЦИЯ СООТВЕТСТВИЯ ЕС</b></p> <p>Мы с полной ответственностью заявляем, что комбинированный перфоратор, идентифицируемый по типу и соответствующему идентификационному коду *1), отвечает всем соответствующим требованиям директив *2) и стандартов *3). Техническая документация в *4) – см. ниже. Менеджер по европейским стандартам в представительстве в Европе уполномочен составлять техническую документацию. Данная декларация относится к изделиям, на которых имеется маркировка CE.</p>
<p>Український</p> <p><b>ДЕКЛАРАЦІЯ ВІДПОВІДНОСТІ ЄС</b></p> <p>Ми заявляємо під нашу виключну відповідальність, що Комбінований перфоратор, визначений за типом та унікальним ідентифікаційним кодом *1), відповідає всім відповідним вимогам директив *2) та стандартів *3). Технічна документація на *4) - Див. нижче. Відповідальний за дотримання європейських стандартів у представництві в Європі уповноважений заповнювати технічний паспорт. Ця декларація дійсна щодо виробу, маркованого CE.</p>	
<p>*1) DH24PG2 C357753S DH24PH2 C357746S DH26PB2 C357723S DH26PC2 C357717S DH28PBY2 C357738S DH28PCY2 C357732S DH28PMY2 C358218S</p> <p>*2) 2006/42/EC, 2014/30/EU, 2011/65/EU</p> <p>*3) EN60745-1:2009+A11:2010 EN60745-2-6:2010 EN55014-1:2006+A1:2009+A2:2011 EN55014-2:1997+A1:2001+A2:2008 EN61000-3-2:2014 EN61000-3-3:2013</p>	
<p>*4) Representative office in Europe <b>Hikoki Power Tools Deutschland GmbH</b> Siemensring 34, 47877 Willich, Germany</p> <p>Head office in Japan <b>Koki Holdings Co., Ltd.</b> Shinagawa Intercity Tower A, 15-1, Konan 2-chome, Minato-ku, Tokyo, Japan</p>	<p>29. 3. 2019 Naoto Yamashiro European Standard Manager</p> <p>29. 3. 2019  A. Nakagawa Corporate Officer</p>

**Hikoki Power Tools RUS L.L.C.**  
Kashirskoe Shosse 41, bldg. 2, 115409, Moscow, Russia  
Tel: +7 495 727 4460  
Fax: +7 495 727 4461  
URL: <http://www.hikoki-powertools.ru>

**Koki Holdings Co., Ltd.**

903  
Code No. C99733252 F  
Printed in China